

SNAP Data Collector

Your Data Gathering Workhorse

The SNAP Data Collector Thing Service provides out-of-the-box reliable and scalable data collection from remote SNAP devices.

Built on years of real-world experience and best practices to eliminate typical deployment issues, the Data Collector polls SNAP devices for data in a configurable manner and transmits the results to an MQTT broker.

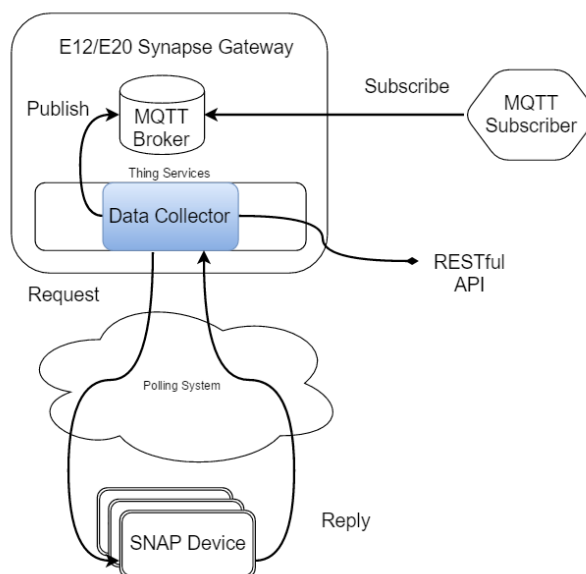
The Data Collector efficiently gathers and wirelessly transmits data regardless of type or structure. It contains embedded mechanisms to ensure data integrity and reliability, such as automatically retrying failed polls and reporting failed exchanges.

The Data Collector is easy to set up and requires NO gateway programming. You just:

1. Write the SNAPpy script for the SNAP device
2. Configure polling on the SNAP devices and the Data Collector
3. Subscribe to the data from the MQTT broker.

It's as simple as that!

The SNAP Data Collector, along with all SNAP Thing Services, is available on Synapse SNAP Connect E12 and E20 Gateways, as well as through licensing on custom third party devices.



Features

- Secure, gateway-hosted MQTT broker
- Utilizes JSON format for MQTT messages
- RESTful API configuration interface
- Poll up to 250 SNAP devices every 30 seconds
- Configurable poll rate
- Built-in retry mechanism
- User defined data formats
- Each gateway can support multiple data collectors
- Fully customizable SNAP device logic
- Reports data collection failures and successes
- Supports up to 128 bytes per poll per SNAP device

6723 Odyssey Drive // Huntsville, AL 35806
(877) 982-7888 // synapsewireless.com

