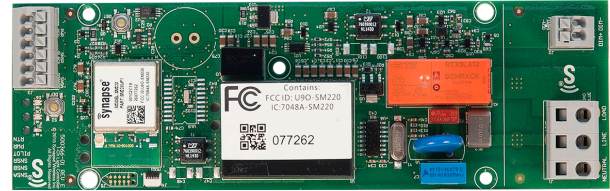




# DIM10-281-21

## Wireless Lighting Controller



### Power Monitoring and Off-the-Shelf Sensor Integration

Order #	Description
DIM10-281-21	Wireless Lighting Controller with Power Monitoring and Sensor Input

<b>Dimensions</b>	6.7" L x 2.1" W x 0.7" H (170mm x 54mm x 18mm)
<b>Input Power</b>	100 to 277 VAC +/- 10% (Max 305V) 47/64 Hz
<b>Operating Environment*</b>	-40°C to +70°C
<b>Switched Output</b>	Default ON; Zero Crossing Switching
<b>Auxiliary Output*</b>	Switch closure, 40mA max, sink only
<b>Load Rating</b>	5A @ 100V to 277V (+/- 10%)
<b>Dimming Control</b>	0-10V
<b>Dimming Output*</b>	Class 1/2 - 20mA Source Max / 50mA Sink Max
<b>Radio</b>	SNAP 2.4GHz ; 802.15.4 +20 dBm Transmit Power -103 dBm Receive Sensitivity
<b>Power Monitoring</b>	Utility Grade - 2% Accuracy
<b>Power Readings</b>	Voltage, Watts
<b>Sensor Inputs</b>	0 - 10V (photocell sensors) 0 - 24V (all other sensors)
<b>Sensor Power Supply*</b>	24VDC @ 50mA
<b>Certifications</b>	c(UL)us, FCC, IC, CE
<b>Warranty</b>	5 Years

\*Dimming and sensor currents are limited to 50% starting at +55C

Specification Data	
Job Name	
Type	
Catalog #	
Comments	

## Product Overview

The **DIM10-281-21** is a California Title 24 compliant lighting controller that provides real-time light monitoring and control with utility-grade power monitoring. It includes two 24V sensor inputs and a sensor power supply to connect sensors into the SimplySNAP wireless lighting solution.

## Features

- Utility Grade Power Monitoring
- Up to 80% Savings through smart dimming
- True On/Off functionality via internal switched relay
- Auxiliary output for optional external relay
- Self-healing SNAP Mesh Networking
- Easily integrates with the SimplySNAP lighting control solution
- Internal relay closes on power loss
- Supports a wide range of LED drivers and fixtures
- Class 1 / Class 2 0-10V Dimming Control
- Direct Connect to 24V Occupancy Sensors and Photocells (consult sales for compatible list)
- Secure, over-the-air upgrades to support future enhancements
- Excellent RF Range — 1 mile LoS between controllers
- Lights default to on for safety

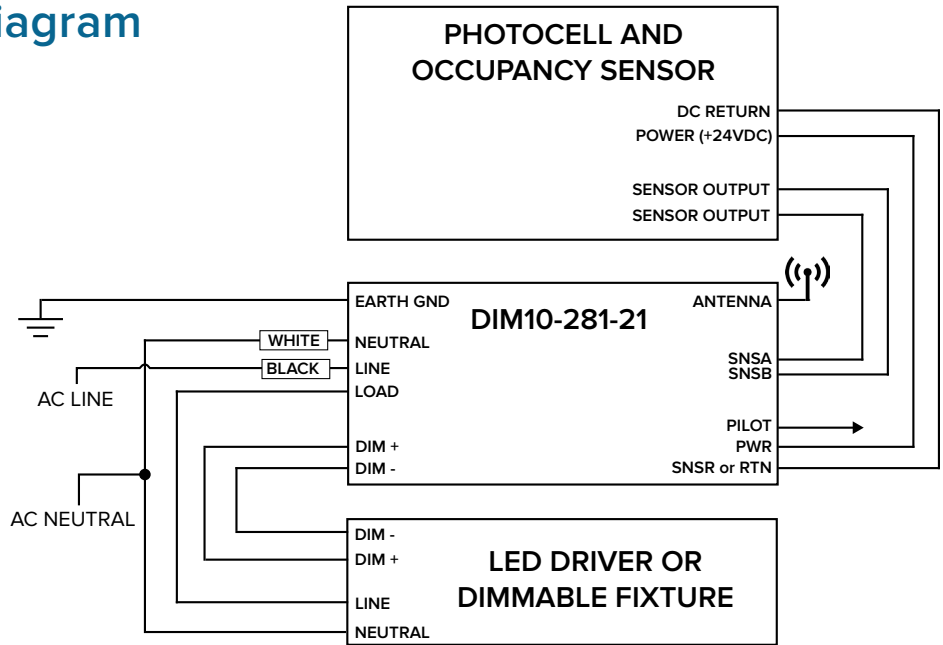


To learn more, call or visit:  
[synapsewireless.com](http://synapsewireless.com)  
 (877) 982-7888

# DIM10-281-21 Wiring Diagram

Class 1 Terminal Block (accepts 12-28 AWG wires)	
Neutral	AC Return
Line	100-277 VAC (+/- 10%)
Load	Switched AC Load

Class 1/2 Terminal Block (accepts 18-20 AWG wires)	
DIM+	Dim+
DIM-	Dim-



LED Indicators	Power LED: Power On
	Status LED: Relay Status - On/Off

Class 2 Terminal Block (accepts 18-20 AWG wires)	
SNS A	Sensor Input 1
SNS B	Sensor Input 2
SNS R	Sensor DC Return
Pilot	Low Voltage Low Current Output
PWR	Sensor Power Supply
RTN	Sensor Power Supply Return

## Fixture Antenna Kits

Part #	Description
KIT-ANT18-01	Outdoor, Right Angle Antenna, 18" Cable with 14mm Bulkhead with O-ring
KIT-ANT18-02	Outdoor, Straight Antenna, 18" Cable with 14mm Bulkhead with O-ring
KIT-ANT18-03	Outdoor, Straight Stubby Antenna, 18" Cable with 14mm Bulkhead with O-ring
KIT-ANT18-04	Outdoor, Right Angle Stubby Antenna, 18" Cable with 14mm Bulkhead with O-ring
KIT-ANT18-13-2.0	Indoor, Articulating Antenna, 2.4GHz, -2.0dBi Gain, 4"
KIT-ANT18-13-3.2	Indoor, Articulating Antenna, 2.4GHz, -3.2dBi Gain, 5"