



DIM10-250-11

Wireless Lighting Controller

Antenna Required
(Not Included)



Specification Data	
Job Name	
Type	
Catalog #	
Comments	

Product Overview

The **DIM10-250-11** is a California Title 24 compliant lighting controller that provides real-time light monitoring and control with utility-grade power monitoring. It includes a 24V sensor input and power supply to connect up to two (2) sensors into the SimplySNAP wireless lighting solution.

Features

- Utility Grade Power Monitoring
- Up to 80% Savings through smart dimming
- True On/Off functionality via switched relay
- Self-healing SNAP Mesh Networking
- Seamlessly integrates with SimplySNAP
- Relay closes on power loss
- Supports a wide range of LED drivers and fixtures
- Class 1 / Class 2 0-10V Dimming Control
- Direct Connect up to two (2) 24V Occupancy Sensors and Photocells (consult sales for list)
- Secure, over-the-air upgrades to support future enhancements
- Excellent RF Range
- Available in a metal cased version with quick connect terminal blocks
- Lights default to on for safety

Power Monitoring and Off-the-Shelf Sensor Integration

Order #	Description
DIM10-250-11	Wireless Lighting Controller with Power Monitoring and Sensor Inputs

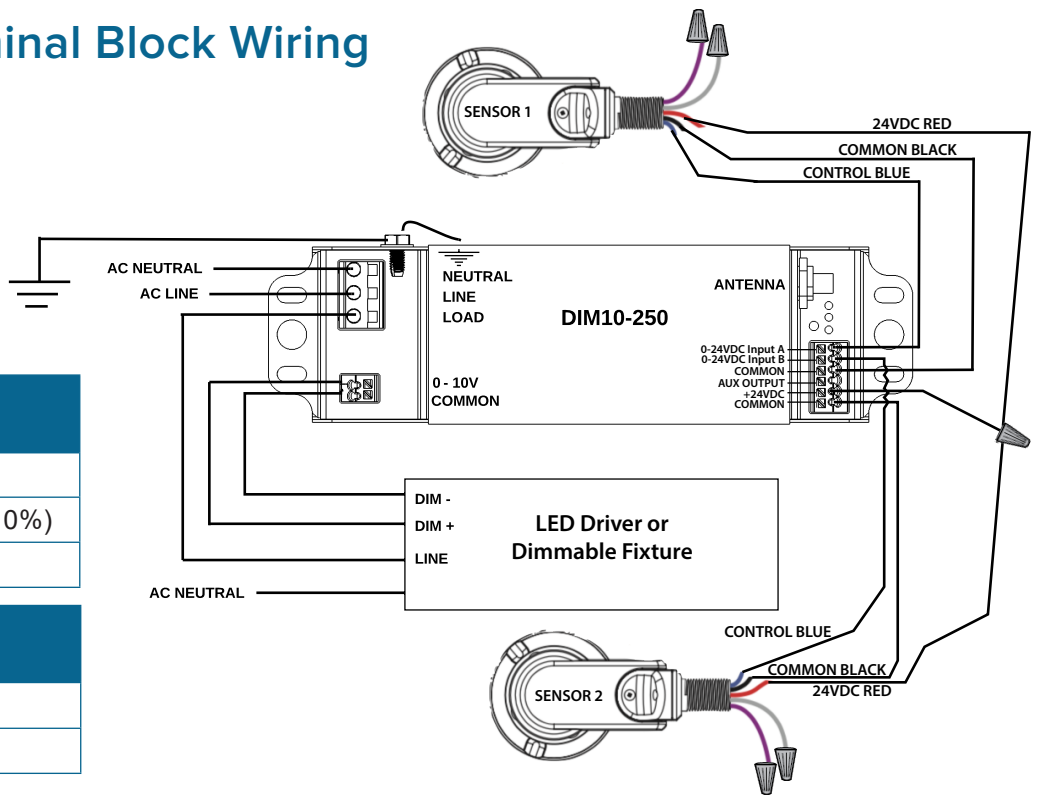
Dimensions	8.2" L x 2.3" W x 1.3" H (209mm x 59mm x 33mm)
Input Power	100 to 277 VAC +/- 10% (Max 305V) 47/64 Hz
Operating Environment*	-40°C to +70°C
Switched Output	Default ON; Zero Crossing Switching
Load Rating	5A @ 100V to 277V (+/- 10%)
Dimming Control	0-10V
Dimming Output*	Class 1/2 - 20mA Source Max / 50mA Sink Max
Radio	SNAP 2.4GHz ; 802.15.4 +20 dBm Transmit Power -103 dBm Receive Sensitivity
Power Monitoring	Utility Grade - 2% Accuracy
Power Readings	Voltage, Watts
Sensor Input	0 - 10V (photocell sensors) 0 - 24V (all other sensors)
Sensor Power Supply*	24VDC @ 50mA
Certifications	c(UL)us, FCC, IC, CE
Warranty	5 Years



To learn more, call or visit:
synapsewireless.com
(877) 982-7888

*Dimming and sensor currents are limited to 50% starting at +55°C

DIM10-250-11 Terminal Block Wiring



Class 1 Terminal Block (accepts 12-28 AWG wires)	
Neutral	AC Return
Line	100-277 VAC (+/- 10%)
Load	Switched AC Load

Class 1/2 Terminal Block (accepts 18-20 AWG wires)	
0-10V	Dim+
Common	Dim-

LED Indicators	Power LED: Power On
	Status LED: Relay Status - On/Off

Class 2 Terminal Block (accepts 18-20 AWG wires)	
0-24VDC Input A	Sensor Input
0-24VDC Input B	Sensor Input
Common	Sensor DC Return
Aux Output	Do not connect
+24VDC	Sensor Power Supply
Common	Sensor Power Supply Return

Fixture Antenna Kits

Part #	Description
KIT-ANT18-01	Outdoor, Right Angle Antenna, 18" Cable with 14mm Bulkhead with O-ring
KIT-ANT18-02	Outdoor, Straight Antenna, 18" Cable with 14mm Bulkhead with O-ring
KIT-ANT18-03	Outdoor, Straight Stubby Antenna, 18" Cable with 14mm Bulkhead with O-ring
KIT-ANT18-04	Outdoor, Right Angle Stubby Antenna, 18" Cable with 14mm Bulkhead with O-ring
KIT-ANT18-13-2.0	Indoor, Articulating Antenna, 2.4GHz, -2.0dBi Gain, 4"
KIT-ANT18-13-3.2	Indoor, Articulating Antenna, 2.4GHz, -3.2dBi Gain, 5"