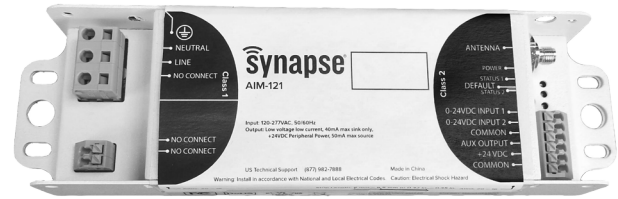




AIM-121

Accessory Interface Module



**Antenna Required
(Not Included)**

For Easy Integration of Sensors

Order #	Description
AIM-121	Wireless Accessory Interface Module for Sensors and External Relay Control

Dimensions	8.2" L x 2.3" W x 1.3" H (209mm L x 59mm W x 33mm H)
Input Power	100 to 277 VAC +/- 10% (Max 305V) 47/64 Hz
Operating Environment*	-40°C to +70°C
Auxiliary Output*	Switch closure, 40mA max, sink only
Radio	SNAP 2.4GHz ; 802.15.4 +20 dBm Transmit Power -103 dBm Receive Sensitivity
Sensor Inputs	0 - 10V (photocell sensors) 0 - 24V (all other sensors)
Sensor Power Supply*	24VDC @ 50mA
Certifications	c(UL)us, FCC, IC, CE
Warranty	5 Years

*Sensor currents are limited to 50% starting at +55C°

Specification Data	
Job Name	
Type	
Catalog #	
Comments	

Product Overview

The **AIM-121** is an accessory interface module that allows connection of two standard wired sensors to the SimplySNAP wireless lighting solution. It also provides an auxiliary output that can be used to drive an external relay.

Features

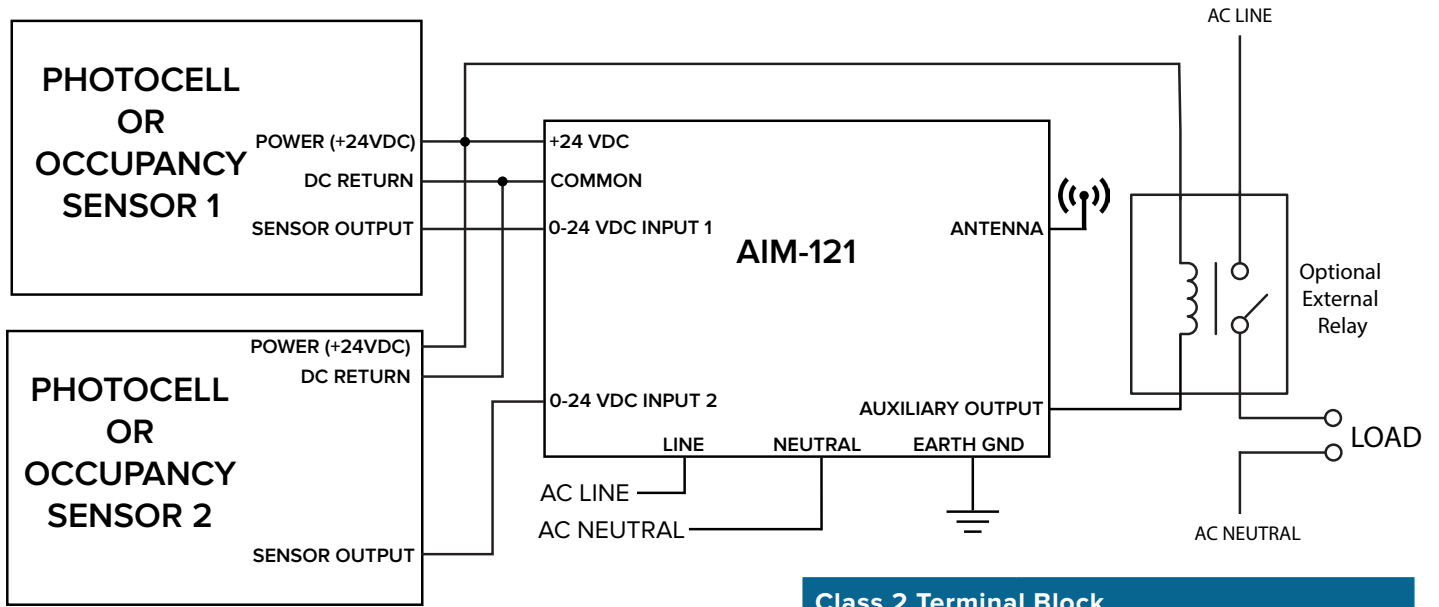
- Self-healing SNAP Mesh Networking
- Seamlessly integrates into the SimplySNAP lighting control solution
- Direct Connect to 24V Occupancy Sensors and Photocells (consult sales for compatible list)
- Switched output for external relay drive
- Secure, over-the-air upgrades to support future enhancements
- Excellent RF Range — 1 mile LoS between controllers
- Available in a metal cased version with quick connect terminal blocks

Auxiliary Controls

To learn more, call or visit:
synapsewireless.com
(877) 982-7888



AIM-121 Wiring Diagram



Class 1 Terminal Block (accepts 12-28 AWG wires)

Neutral	AC Return
Line	100-277 VAC (+/- 10%)

LED Indicators	Power LED: Power On
	Status LED: Reserved for future use

Class 2 Terminal Block (accepts 18-20 AWG wires)

0-24V Input 1	Sensor Input 1
0-24V Input 2	Sensor Input 2
Common	Sensor DC Return
Auxiliary Output	Low Voltage Low Current Output
+24 VDC	Sensor Power Supply
Common	Sensor Power Supply Return

Fixture Antenna Kits

Part #	Description
KIT-ANT18-01	Outdoor Right Angle Antenna, 18" Cable with 14mm Bulkhead with O-ring
KIT-ANT18-02	Outdoor Straight Antenna, 18" Cable with 14mm Bulkhead with O-ring
KIT-ANT18-03	Outdoor Straight Stubby Antenna, 18" Cable with 14mm Bulkhead with O-ring
KIT-ANT18-04	Outdoor Right Angle Stubby Antenna, 18" Cable with 14mm Bulkhead with O-ring
KIT-ANT18-13-2.0	Indoor, Articulating Antenna, 2.4GHz, -2.0dBi Gain, 4"
KIT-ANT18-13-3.2	Indoor, Articulating Antenna, 2.4GHz, -3.2dBi Gain, 5"